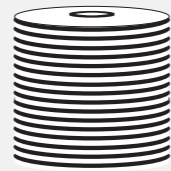




H-CSD /H-CSD-SD(Split Dome) Filter Housing

An Innovative Substitute to Plate and Frame Filters



H-CSD Lenticular Housing Series specially designed for use with CSD lenticular filter modules.

Designed according to sanitary requirements, the well-polished housing leaves no residual liquids and has an easy throughput for cleaning.

The bottom in/bottom out flow pattern eliminates turbulent flow; thus, enhancing filtration efficiency.

Maximum height stack of 4 meets high flow rates requirements.

Design Features

- Bottom in/bottom out structure allows for easy cleaning; Drain port is available on the inlet line, which is convenient for drainage.
- Excellent sealing.
- Top and middle opening options; easy module change out reduce liquid spoilage.
- Satisfies EC Pressure Equipment Directive: PED 97/23/CE.



Surface Finish

Polish Type	Mechanical Polish; Electro-Polish
Finish	Internal Ra: 0.38µm; External Ra: 0.4µm

Operating Conditions

Design Pressure	0.6Mpa (6bar)
Max Temp.	90°C (194°F) / Design Temperature: 140°C
Sterilization	Inline / Autoclave @ 121°C

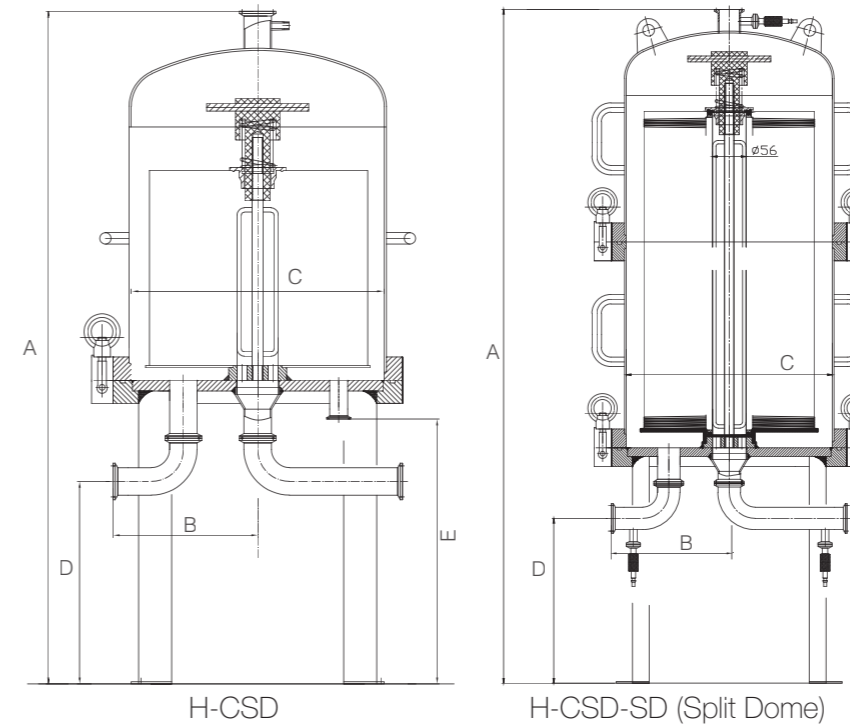
Material of Construction

Housing Body	304, 316L
Vent / Drain	304, 316L
Swing Bolt	304
Feet Support	304
Sealing	Silicon, Viton, EPDM, PFA

Connection

Housing Connection	Swing Bolt
Inlet / Outlet	Tri-clamp
Vent	1.2"NPT
Drain	Tri-clamp 0.5 S
Pressure Gauge	1.5S Tri-clamp

Drawings & Dimensions



	12" 16Lenses	12" 32Lenses	12" 48Lenses	12" 64Lenses
A	800	1070	1340	1610
B	200	200	200	200
C	350	350	350	350
D	150	150	150	150
E	245	245	245	245

Ordering Information

	Number of Filters	Filter Specification	Material	End Cap	Housing Connection	Inlet / Outlet	Sealing Material	Surface Finish	Design Pressure	Application
H-CSD	1	12-1	F	D	D	T38	S	A	X	P
H-CSD-SD	01 1 round	12-1 12" 16Lenses 12-2 12" 32Lenses 12-3 12" 48Lenses 12-4 12" 64Lenses 16-1 16" 16Lenses 16-2 16" 32Lenses 16-3 16" 48Lenses 16-4 16" 64Lenses	F 304 S 316L	D DOE	D Swing Bolt	T38 Tri-clamp DN 38	S Silicone E EPDM V Viton P Encapsulated Viton	A Mirror Polish B Internal Electro-polished	X 0.6MPa	P Pharmaceutical F Food and Beverage C Chemical

